

Colegio O'Farrill
Ciclo Escolar 2021- 2022
Actividades semanales

Sección y Grado		INGLÉS KINDER III			
Grupo		A y B			
Profesora		Miss Vicky García Quiroz			
Actividades de la semana del 22 al 26 de Noviembre					
TOPICS	MONDAY November 22nd	TUESDAY November 23rd	WEDNESDAY November 24th	THURSDAY November 25th	FRIDAY November 26th
Unit 3 *Student Book *Activity Book *Literacy book *Numeracy book	*Student book Lesson 1 p 34 *Activity book Lesson 1 p. 34 *Literacy Book Lesson 1 p 14-15	*Student book Lesson 2 p 35 *Pilgrim's Hats 	*Pilgrim's Hats *Activity book Lesson 2 p 35	 Thanksgiving Day!! *Story *Thanksgiving cooking (popcorn cob) *Picnic	Suspensión de actividades Consejo Técnico
Vocabulary	Birthday cake, presents, cards, mask, candles, game, How many ___ are there?, How many ___ are altogether? There are ___. Party, treasure hunt, shiny, silver, beads, necklace. There is something ___ here/ there, ball, paper, presents , colors.				
Materials	Student Book, Activity book, Literacy Book.				

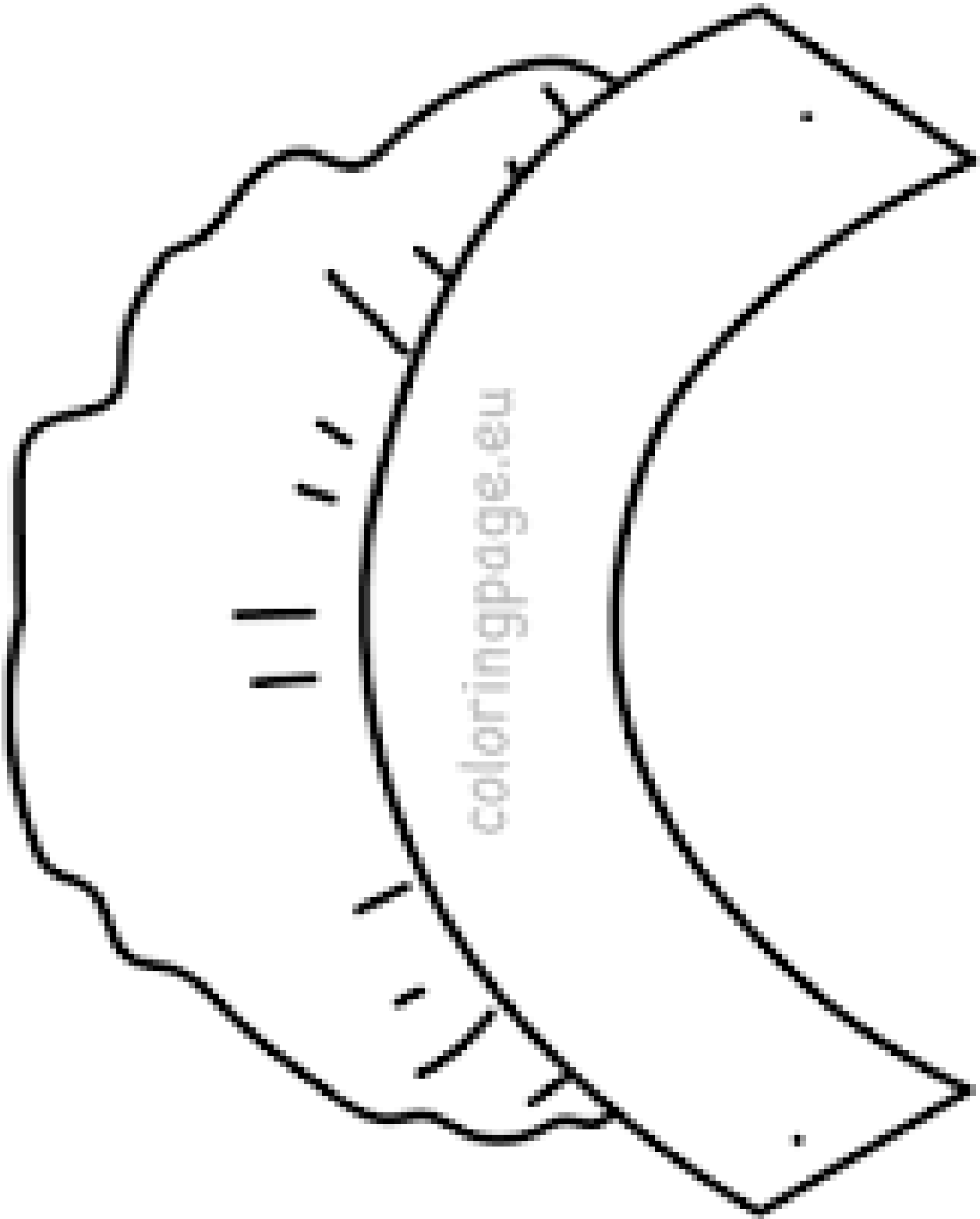
Pilgrim's Hats Niños: necesitamos cartulina negra, un pedacito de fomi o papel dorado o plateado, pegamento, tijeras

Niñas: Cartulina blanca, listón blanco, azul o rosa para amarrar el gorro a la cabeza, tijeras

Cooking/ popcorn cob: necesitaremos **palomitas de maíz** ya preparadas, las suficientes para llenar **una bolsa de plástico angosta** para simular la mazorca, **papel crepe o de china verde** y un **listón café o verde o amarillo** para amarrar la mazorca

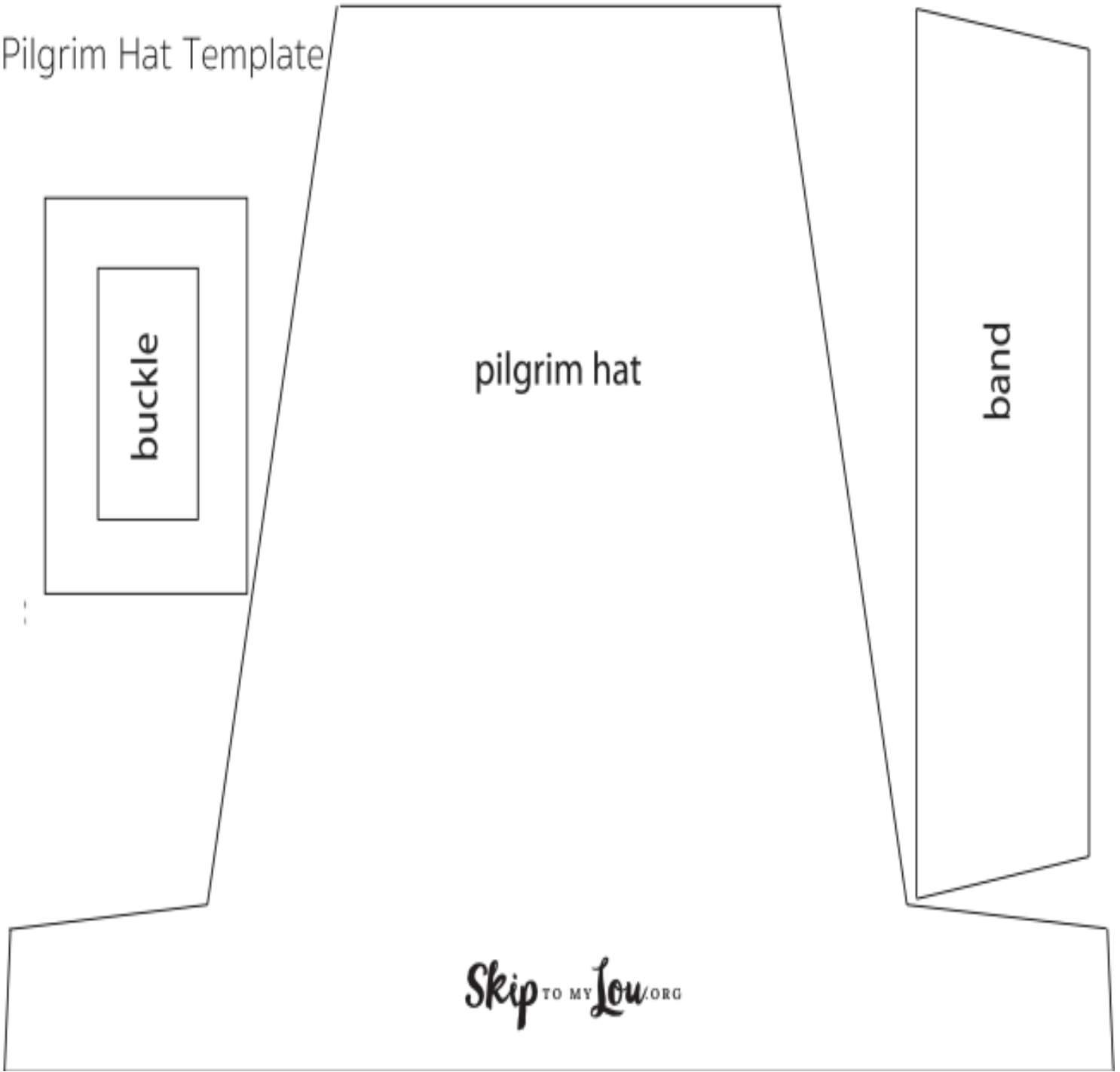
POPCORN COB





coloringpage.eu

Pilgrim Hat Template



Skip TO MY Lou.ORG